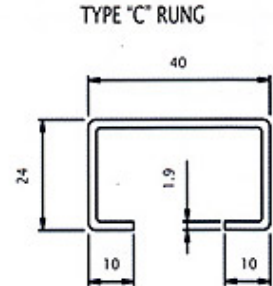
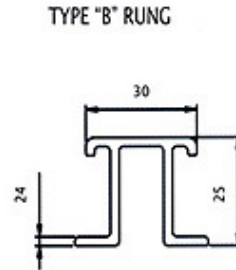
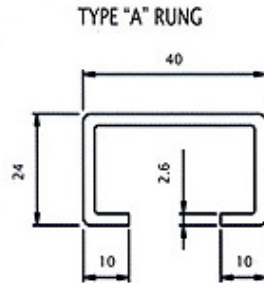
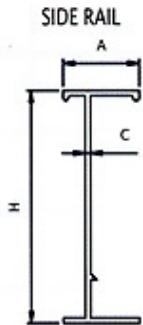


Cable Ladder Aluminum Selection Guide



Prefix Code	Side Rail Data (mm)			Load Depth D (mm)	Nema Loading Class	
	H	C	A		AA 6063 T6	AA 6061 T6
AB12	100	1.8	45.0	71.8	16A	20A
AC12	104.6	1.52	44.5	76.4	16A	20A
AA20	106.2	2.03	44.45	78.0	16A	20A
AB20	128.5	2.3	44.5	101.5	20A	20B
AC20	152	2.7	50	123	20B	20C
AC21	158	3.4	50	128.6	20C	20C

Manufacturing Standard :

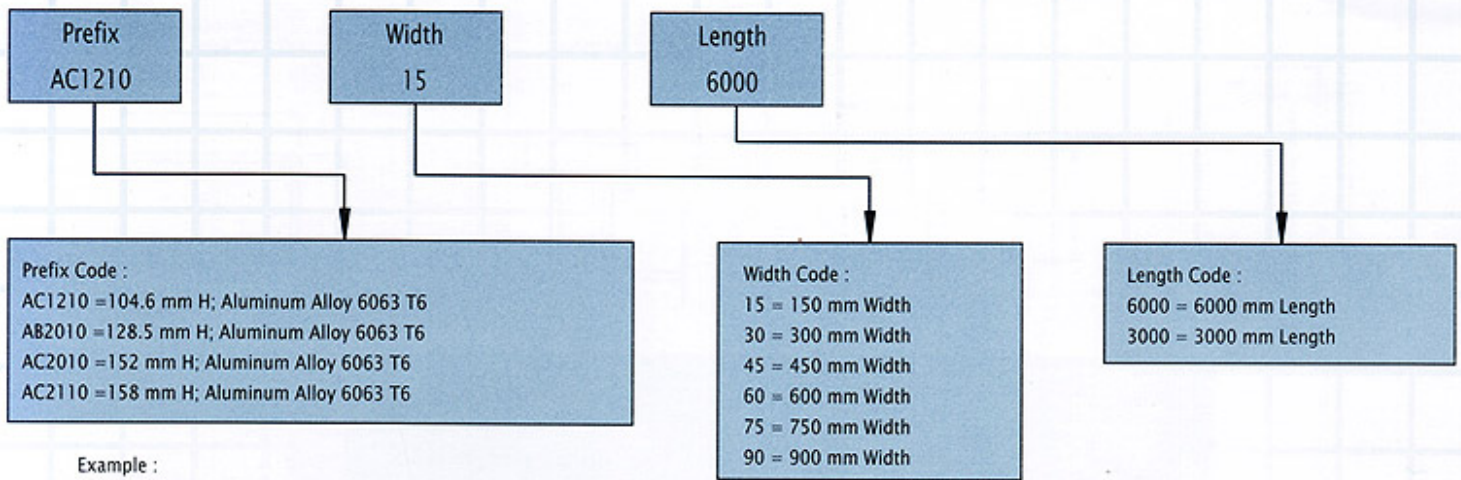
- Material : Aluminum Alloy 6063 T6 for Ladder, Aluminum Plate 1.6 mm Thickness AA 5052 H-32 for Cover
Available Material Option Aluminum Alloy 6061 T6 for Ladder, & Aluminum Plate 2.0 mm Thickness AA 5052 H-32 for Cover
- Aluminum Cable Ladder is Manufactured With 300 mm (Max) Rung Spacing
- Rung "A" Type, or "B" Type, or "C" Type Will be conducted upon customer request

Nema Load / Span Designation Table

Working Load	Class Code per Support Span			
	8 Ft	12 Ft	16 Ft	20 Ft
A = 50 Lbs/ft (74.5 Kg/m)	8A	12 A	16 A	20 A
B = 75 Lbs/ft (111.6 Kg/m)	8B	12 B	16 B	20 B
C = 100 Lbs/ft (148.8 Kg/m)	8C	12 C	16 C	20 C

This Table Sumarized According to NEMA VE-1 Standard

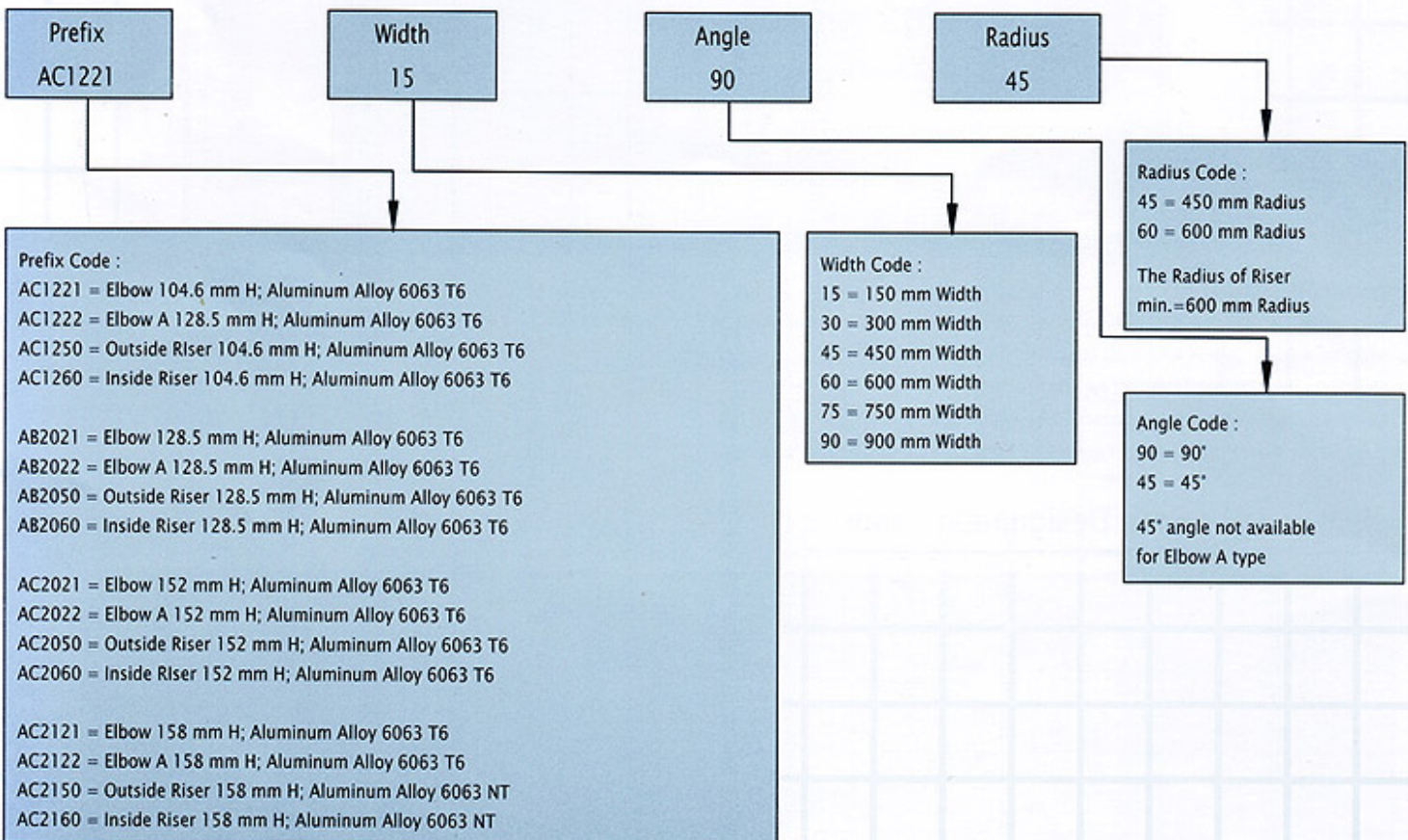
Straight Ladder Numbering System



Example :

AC1210156000 = Straight Ladder 150W x 104.6H x 6000L; Aluminum Alloy 6063 T6
AB2010306000 = Straight Ladder 300W x 128.5H x 6000L; Aluminum Alloy 6063 T6

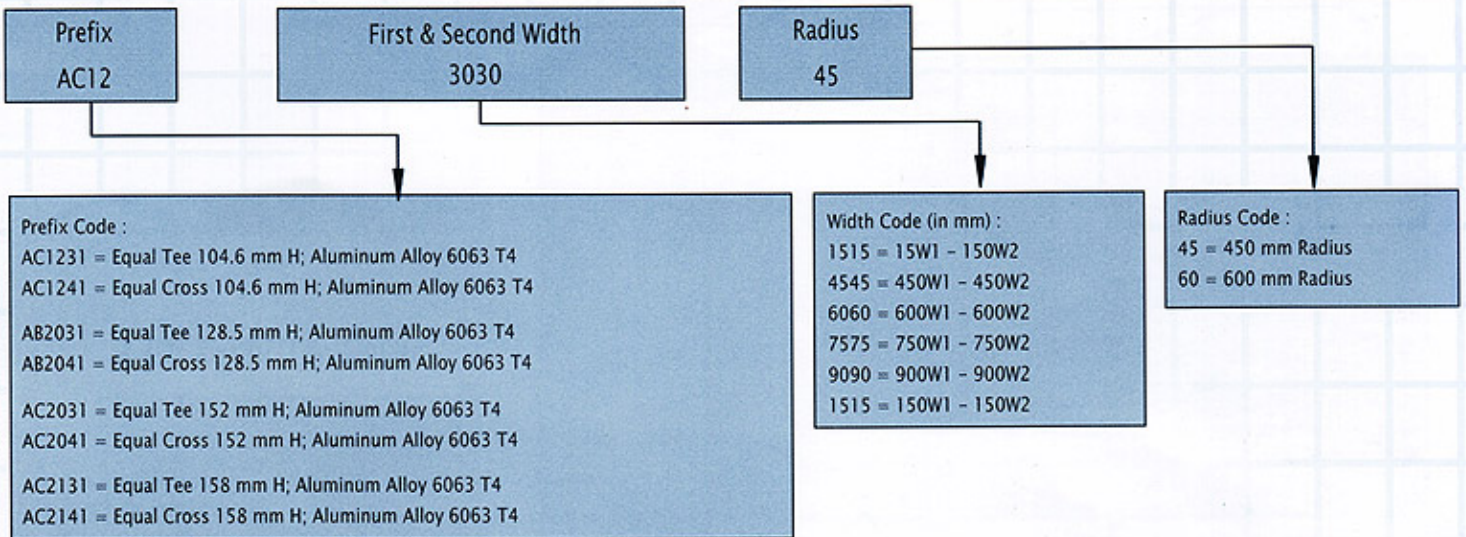
Ladder Numbering System Elbow, Elbow A, Outside Riser and Inside Riser



Example :

AC1221159060 = Horizontal Elbow 150W x 104.6H x 600 R; Aluminum Alloy 6063 T6
AB2060604560 = Horizontal Inside Riser 600W x 128.5H x 600R; Aluminum Alloy 6063 NT

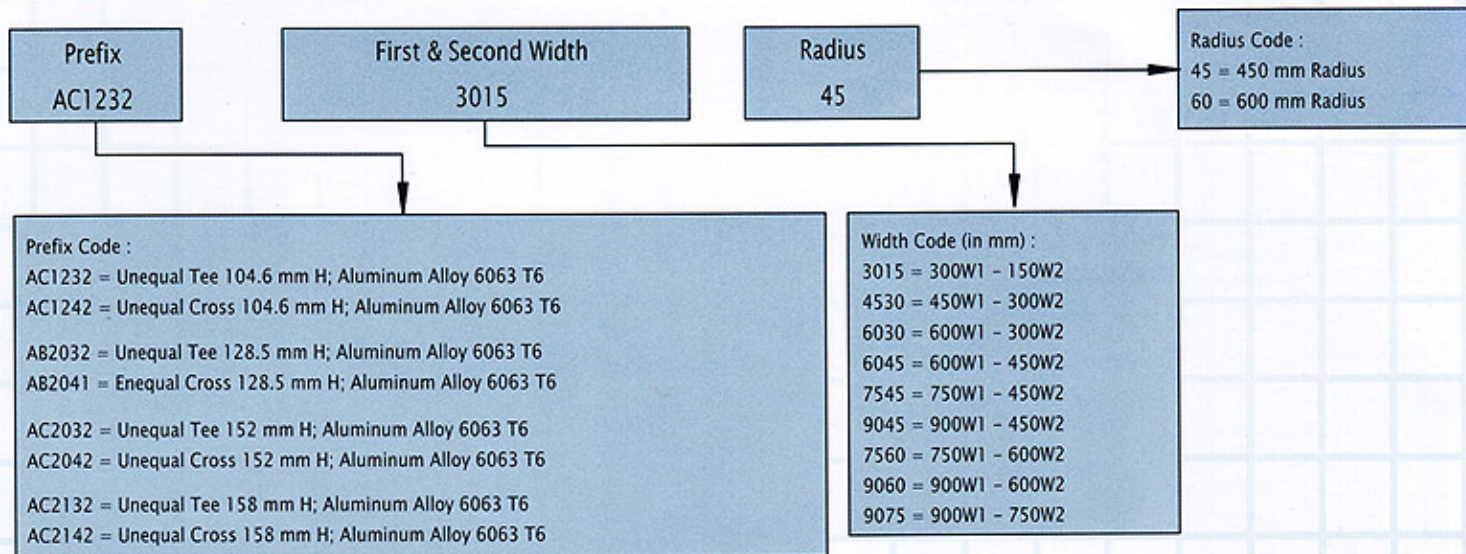
Ladder Numbering System Equal Tee and Equal Cross



Example :

AC2031151560 = Horizontal Equal Tee 150W x 152H x 600R; Aluminum Alloy 6063 T4
AC2141303060 = Horizontal Equal Cross 300W x 158H x 600R; Aluminum Alloy 6040 T4

Ladder Numbering System Unequal Tee and Unequal Cross

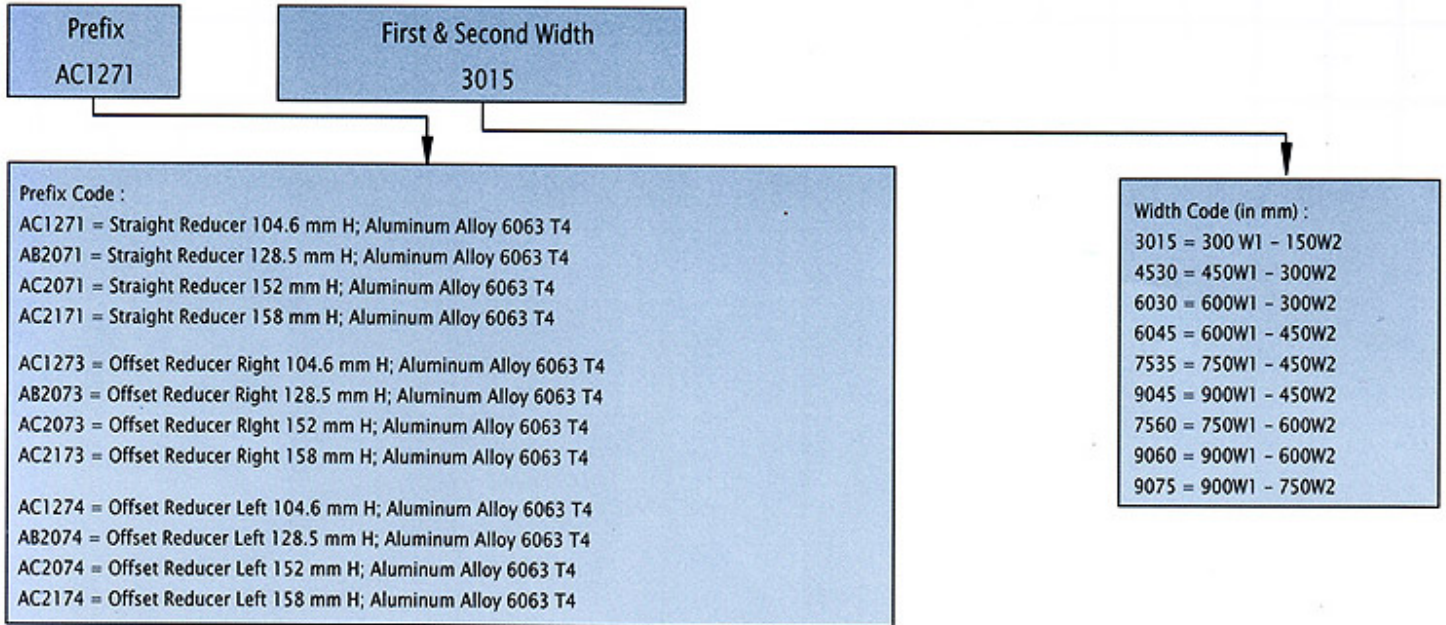


Example :

AC1232301545 = Horizontal Unequal Tee 300W1 x 150W2 x 104.6H x 450R; Aluminum Alloy 6063 T6
AB2042604560 = Horizontal Unequal Cross 600W1 x 450W2 x 128.5H x 600R; Aluminum Alloy 6063 T6

Ladder Numbering System

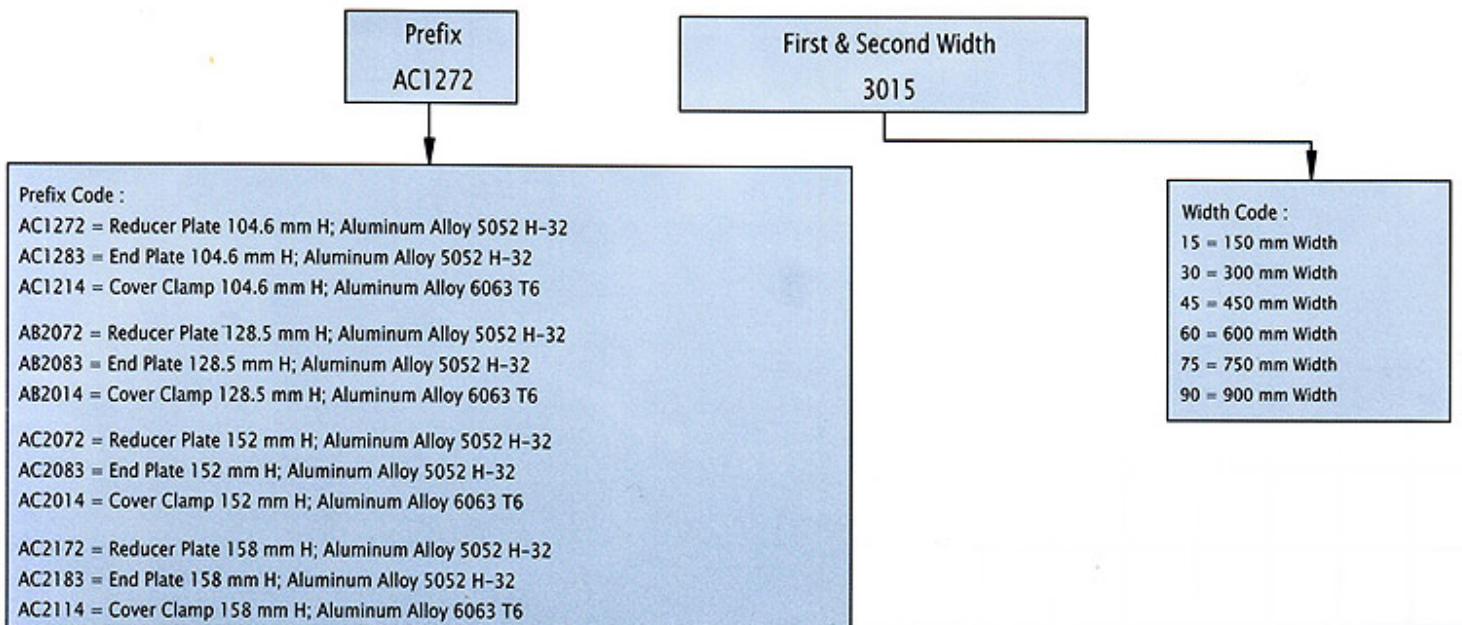
Straight Reducer, Offset Reducer Right & Offset Reducer left



Example :

- AC12713015 = Horizontal Straight Reducer 300W1 x 150W2 x 104.6H; Aluminum Alloy 6063 T4
- AB20714530 = Horizontal Straight Reducer 450W1 x 300W2 x 128.5 H; Aluminum Alloy 6063 T4
- AC20736030 = Horizontal Offset Reducer Right 600W1 x 300W2 x 152H; Aluminum Alloy 6063 T4
- AC21746045 = Horizontal Offset Reducer Left 600W1 x 450W2 x 158H; Aluminum Alloy 6063 T4

Aluminum Ladder Numbering System End Plate, Reducer Plate, Clamp Cover



Example :

- AC127215 = Horizontal Reducer Plate 150W x 104.6H; Aluminum Alloy 5052 H-32
- AB201460 = Horizontal Cover Clamp 600W x 128.5 H; Aluminum Alloy 6063 T6

Ladder Jointing Numbering System

AC1211 = Splice Plate 104.6 mm H; Aluminum Alloy 6063 T6
 AC1212 = Vertical Adjustable Plate 104.6 mm H; Aluminum Alloy 6063 T6
 AC1213 = Horizontal Adjustable Plate 104.6 mm H; Aluminum Alloy 6063 T6

AB2011 = Splice Plate 128.5 mm H; Aluminum Alloy 6063 T6
 AB2012 = Vertical Adjustable Plate 128.5 mm H; Aluminum Alloy 6063 T6
 AB2013 = Horizontal Adjustable Plate 128.5 mm H; Aluminum Alloy 6063 T6

AC2011 = Splice Plate 152 mm H; Aluminum Alloy 6063 T6
 AC2012 = Vertical Adjustable Plate 152 mm H; Aluminum Alloy 6063 T6
 AC2013 = Horizontal Adjustable Plate 152 mm H; Aluminum Alloy 6063 T6

AC2111 = Splice Plate 158 mm H; Aluminum Alloy 6063 T6
 AC2112 = Vertical Adjustable Plate 158 mm H; Aluminum Alloy 6063 T6
 AC2113 = Horizontal Adjustable Plate 158 mm H; Aluminum Alloy 6063 T6

Ladder Cover Numbering System

Numbering System for Ladder Cover is Typical Width Numbering System for Ladder. Just Simply add "9" after alphabetic portion of every prefix

General Guideline :

Prefix for Body :

AC1210 xxx
 AB2050 xxx
 AC2060 xxx
 AC2171 xxx

Prefix for Cover :

AC12910 xxx
 AB20950 xxx
 AC20960 xxx
 AC21971 xxx

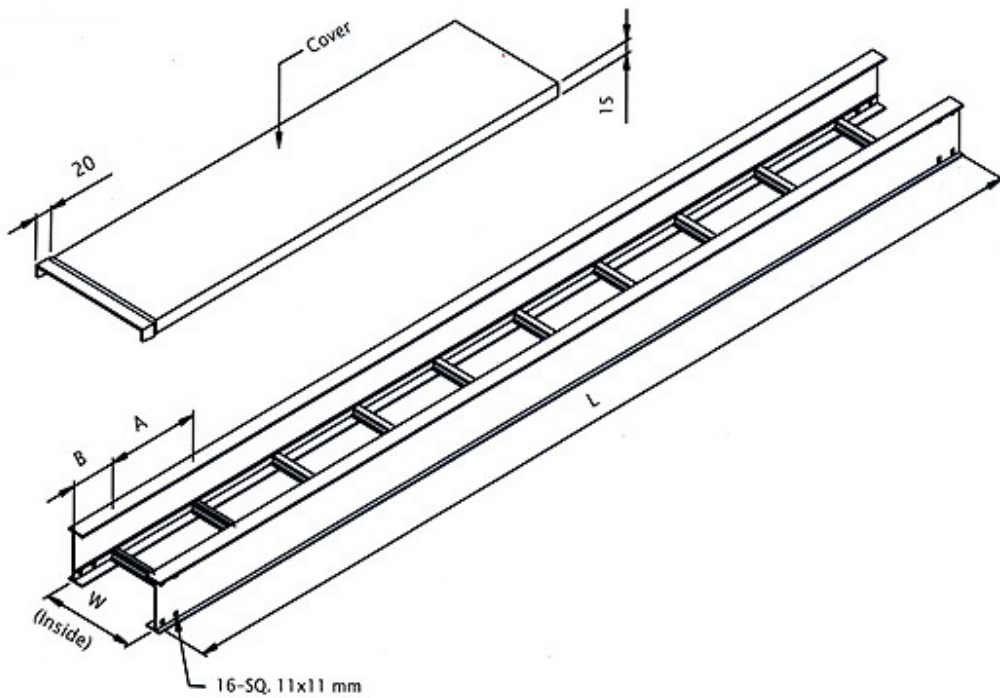
Suppose that Product Number for Body are :

AC1210156000 = Straight Ladder 150W x 104.6 H x 600L; Aluminum Alloy 6063 T6
 AB2022309060 = Elbow A 300W x 128.5; 90°600R; Aluminum Alloy 6063 T6
 AC20713015 = Straight Reducer 300W1 x 150W2 x 152H; Aluminum Alloy 6063 T4
 AC2141303060 = Equal Cross 300W1 x 300W2 x 158H x 600R; Aluminum Alloy 6063 T6

Then that Product Number for Cover are :

AC12910153020 = Cover Straight Ladder 150W x 3020L; Aluminum Alloy 5052 H-32
 AB20922309060 = Cover Elbow A 300W; 90°; 600R; Aluminum Alloy 5052 H-32
 AC209713015 = Cover Straight Reducer 300W1 x 150W2; Aluminum Alloy 5052 H-32
 AC21941303060 = Cover Equal Cross 300W1 x 300W2 x 600R; Aluminum Alloy 5052 H-32

1. Straight Ladder and Cover



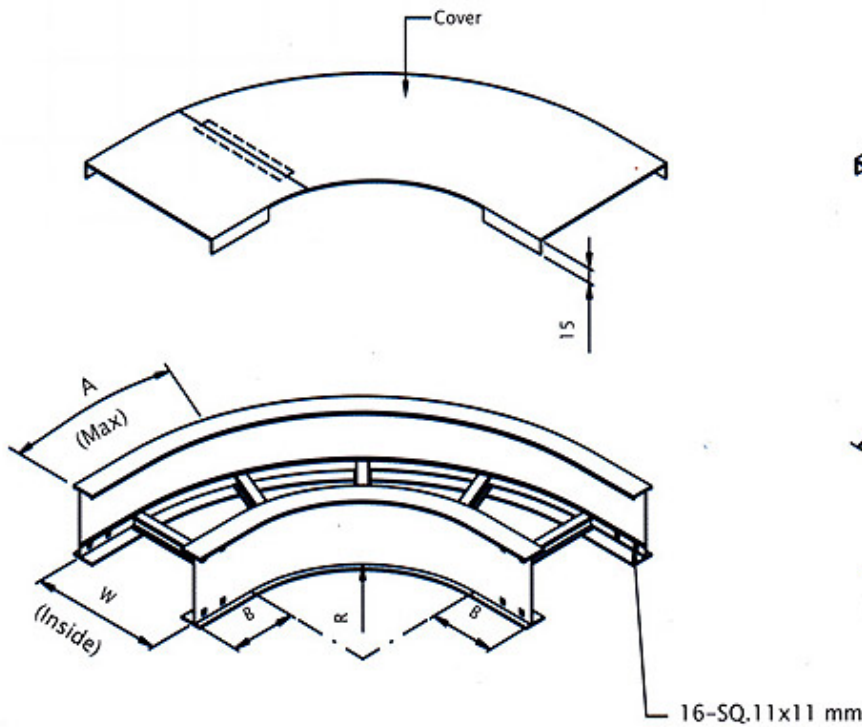
Note :

- *) Number of Rungs and Jointing holes very depending on dimension
- *) Some Covers may need Stiffener due to material limitation.
- *) This also applies to Tee, Elbow, Reducer, Outside Riser, Inside Riser and Cross.

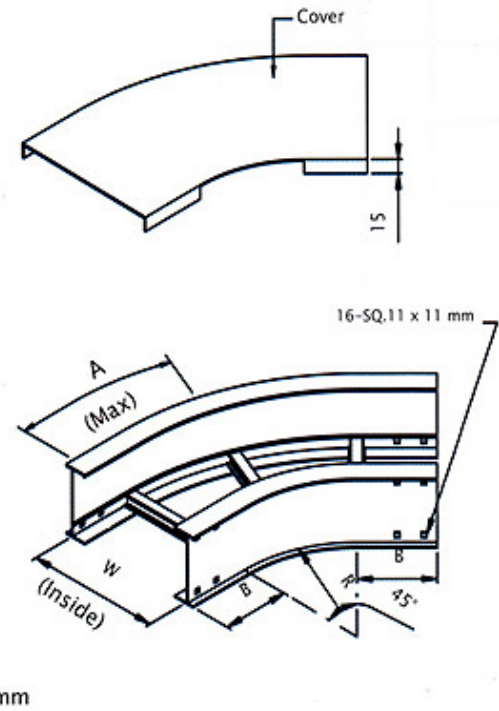
L	W	Dimensions		Part Number	
		A (max)	B	L (mm)	L (mm)
3000 or 6000	150	300 mm	150 mm	Prefix 10153000	Prefix 10156000
	300			Prefix 10303000	Prefix 10306000
	450			Prefix 10453000	Prefix 10456000
	600			Prefix 10603000	Prefix 10606000
	750			Prefix 10753000	Prefix 10756000
	900			Prefix 10903000	Prefix 10906000

- Prefix : Tray System Code; see page 60-64 for information
- All Dimension are Shown In Milimeter

2. 90° Elbow and Cover



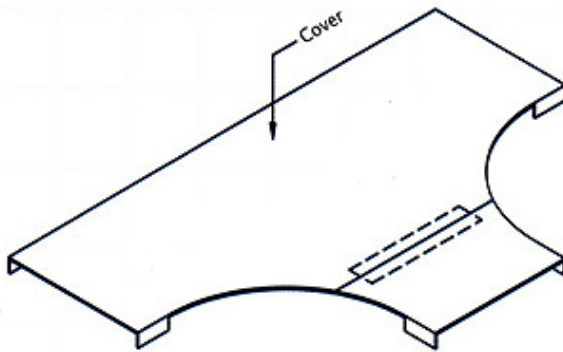
3. 45° Elbow and Cover



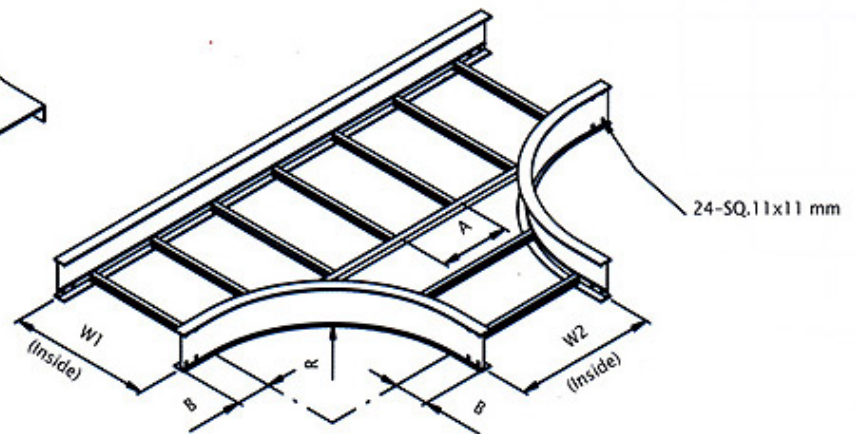
R	W	Dimensions		Part Number	
		A (max)	B	Angle 90° (mm)	Angle 45° (mm)
450	150	300 mm	150 mm	prefix 21159045	prefix 21154545
	300			prefix 21309045	prefix 21304545
	450			prefix 21459045	prefix 21454545
	600			prefix 21609045	prefix 21604545
	750			prefix 21759045	prefix 21754545
	900			prefix 21909045	prefix 21904545
600	150	300 mm	150 mm	prefix 21159060	prefix 21154560
	300			prefix 21309060	prefix 21304560
	450			prefix 21459060	prefix 21454560
	600			prefix 21609060	prefix 21604560
	750			prefix 21759060	prefix 21754560
	900			prefix 21909060	prefix 21904560

- Prefix : Tray System Code; see page 60-64 for information
- All Dimension are Shown In Millimeter

4. Equal Tee and Cover



5. Unequal Tee and Cover

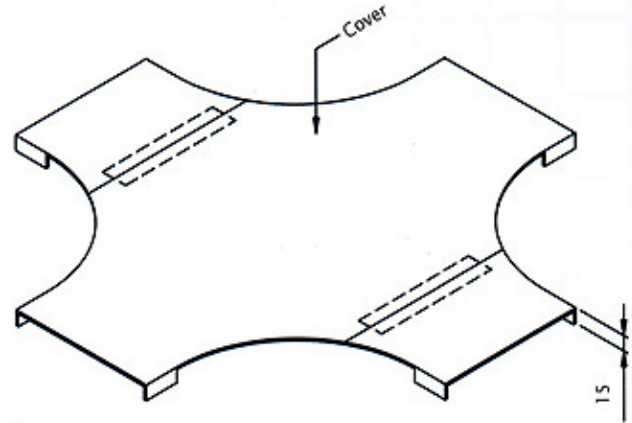
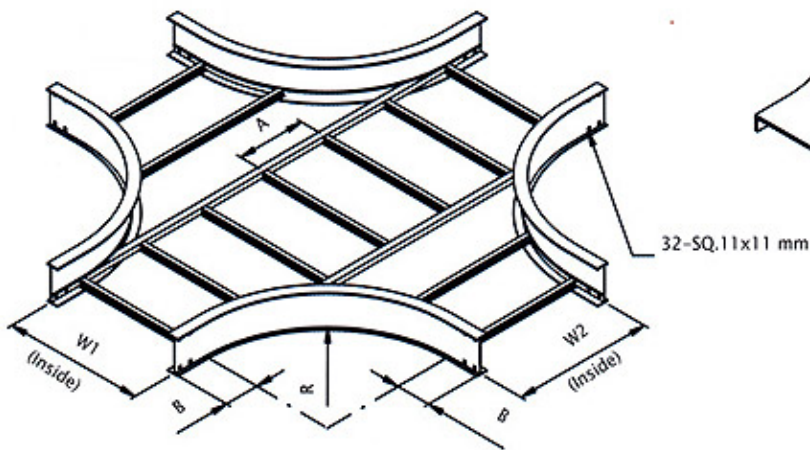


R	Dimensions		Equal Tee		Part Number	Unequal Tee		Part Number
	A (max)	B	W1	W2	mm	W1	W2	mm
450	300 mm	150 mm	150	150	prefix 31301545	300	150	prefix 32301545
			300	300	prefix 31453045	450	300	prefix 32453045
			450	450	prefix 31603045	600	300	prefix 32603045
			600	600	prefix 31604545	600	450	prefix 32604545
			750	750	prefix 31754545	750	450	prefix 32754545
						900	450	prefix 32904545
						750	600	prefix 32756045
						900	600	prefix 32906045
						900	750	prefix 32907545
			600	300 mm	150 mm	150	150	prefix 31301560
300	300	prefix 31453060				450	300	prefix 32453060
450	450	prefix 31603060				600	300	prefix 32603060
600	600	prefix 31604560				600	450	prefix 32604560
750	750	prefix 31754560				750	450	prefix 32754560
						900	450	prefix 32904560
						750	600	prefix 32756060
						900	600	prefix 32906060
						900	750	prefix 32907560

- Prefix : Tray System Code; see page 60-64 for information
- All Dimension are Shown In Millimeter

6. Equal Cross and Cover

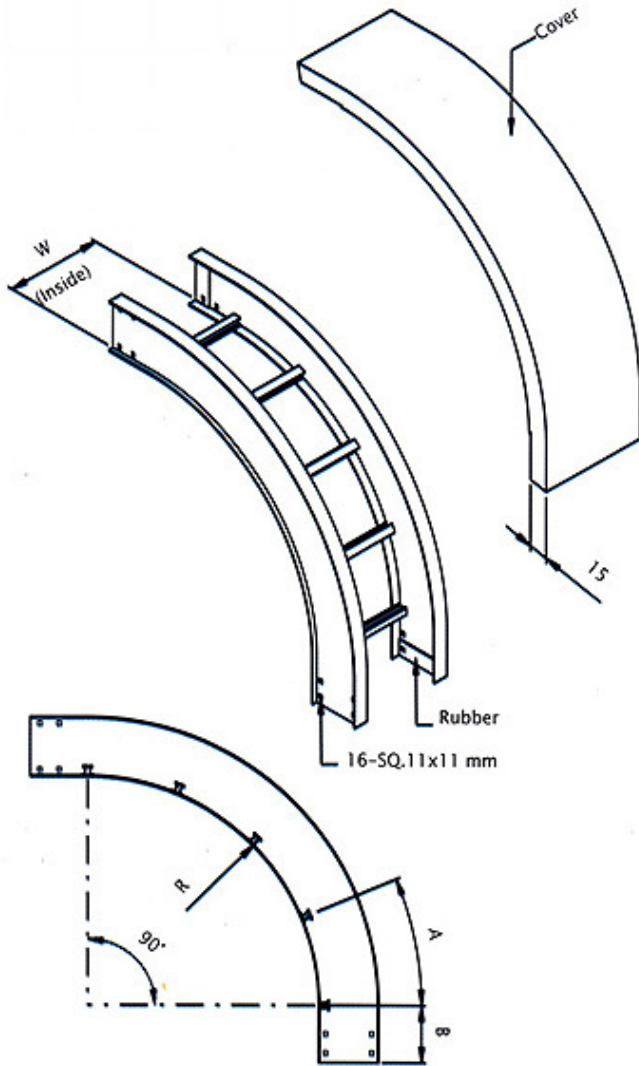
7. Unequal Cross and Cover



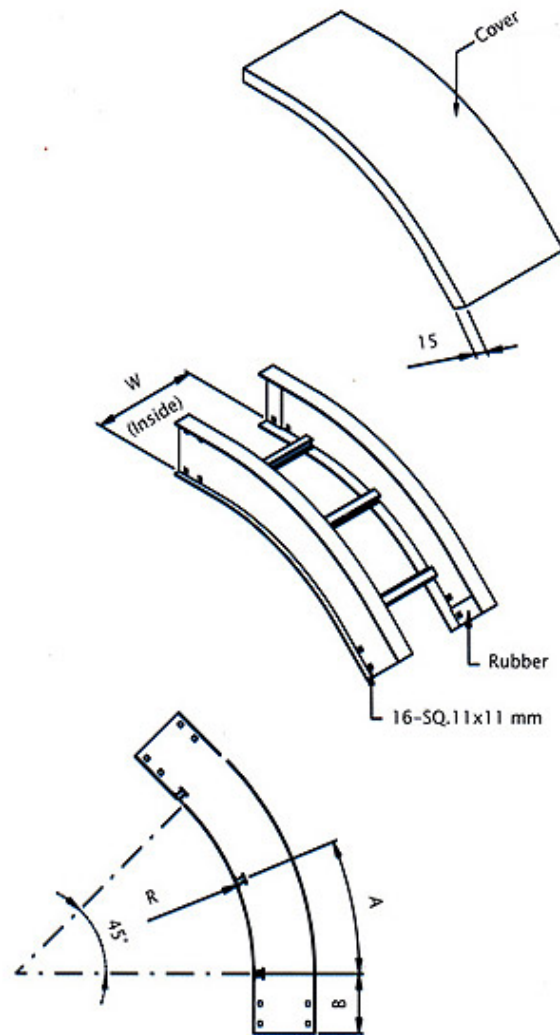
R	Dimensions		Equal Cross		Part Number	Unequal Cross		Part Number
	A (max)	B	W1	W2	mm	W1	W2	mm
450	300 mm	150 mm	150	150	prefix 41301545	300	150	prefix 42301545
			300	300	prefix 41453045	450	300	prefix 42453045
			450	450	prefix 41603045	600	300	prefix 42603045
			600	600	prefix 41604545	600	450	prefix 42604545
			750	750	prefix 41754545	750	450	prefix 42754545
						900	450	prefix 42904545
						750	600	prefix 42756045
						900	600	prefix 42906045
						900	750	prefix 42907545
			600	300 mm	150 mm	150	150	prefix 41301560
300	300	prefix 41453060				450	300	prefix 42453060
450	450	prefix 41603060				600	300	prefix 42603060
600	600	prefix 41604560				600	450	prefix 42604560
750	750	prefix 41754560				750	450	prefix 42754560
						900	450	prefix 42904560
						750	600	prefix 42756060
						900	600	prefix 42906060
						900	750	prefix 42907560

- Prefix : Tray System Code; see page 60-64 for information
- All Dimension are Shown In Milimeter

8. 90° Outside Riser and Cover



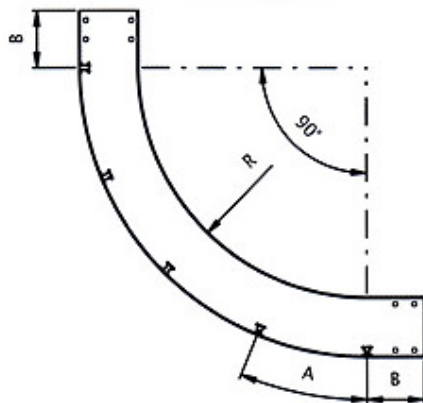
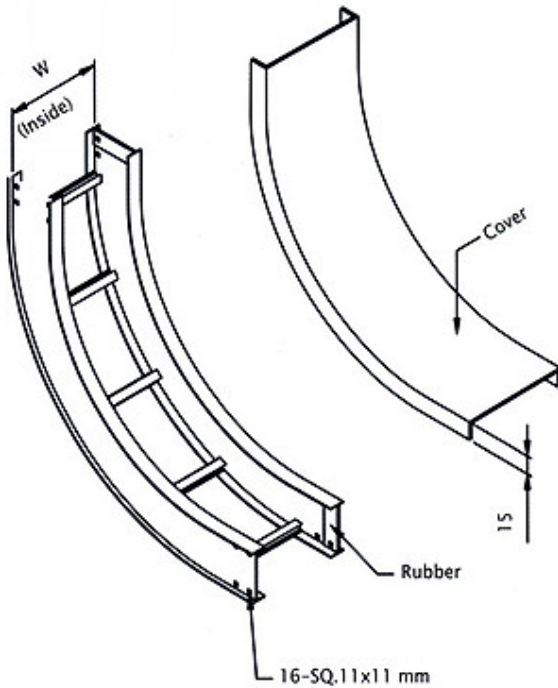
9. 45° Outside Riser and Cover



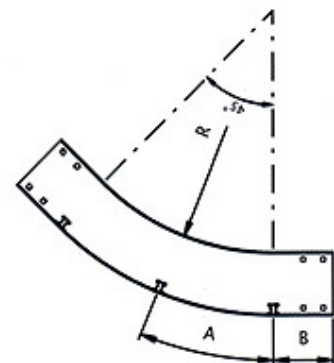
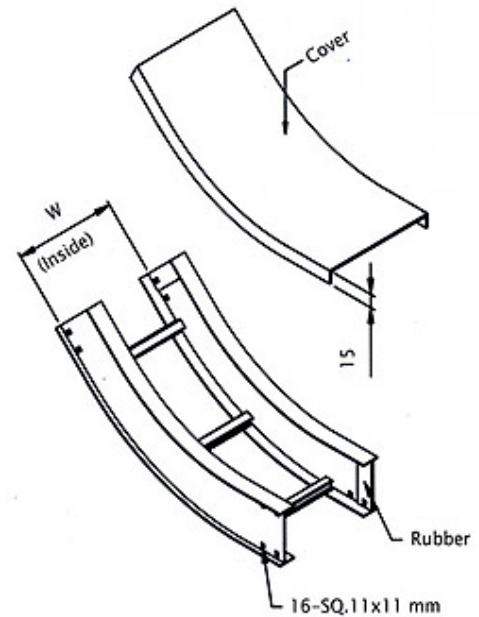
R	W	Dimensions		Part Number	
		A (max)	B	Angle 90° (mm)	Angle 45° (mm)
600	150	300 mm	150 mm	prefix 50159060	prefix 50154560
	300			prefix 50309060	prefix 50304560
	450			prefix 50459060	prefix 50454560
	600			prefix 50609060	prefix 50604560
	750			prefix 50759060	prefix 50754560
	900			prefix 50909060	prefix 50904560

- Prefix : Tray System Code; see page 60-64 for information
- All Dimension are Shown In Milimeter

10. 90° Inside Riser and Cover



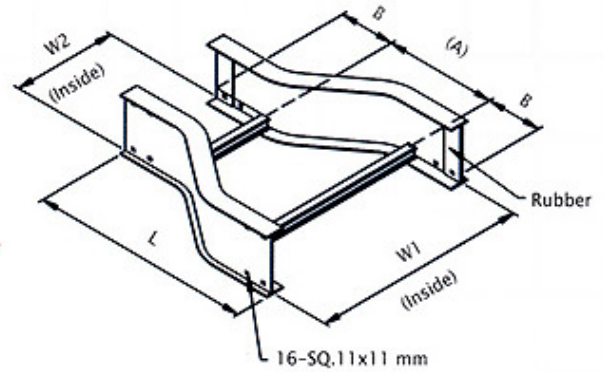
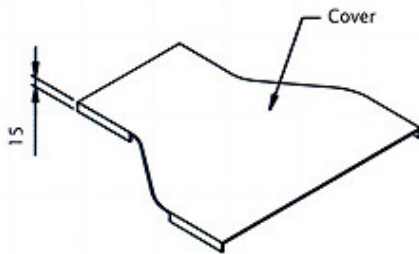
11. 45° Inside Riser and Cover



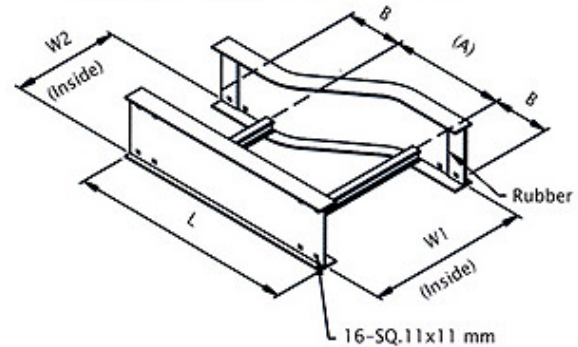
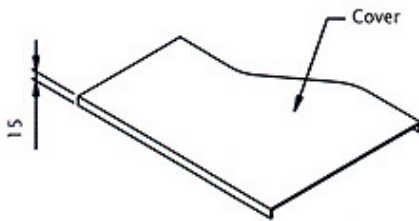
R	W	Dimensions		Part Number	
		A (max)	B	Angle 90° (mm)	Angle 45° (mm)
600	150	300 mm	150 mm	prefix 60159060	prefix 60154560
	300			prefix 60309060	prefix 60304560
	450			prefix 60459060	prefix 60454560
	600			prefix 60609060	prefix 60604560
	750			prefix 60759060	prefix 60754560
	900			prefix 60909060	prefix 60904560

- Prefix : Tray System Code; see page 60-64 for information
- All Dimension are Shown In Milimeter

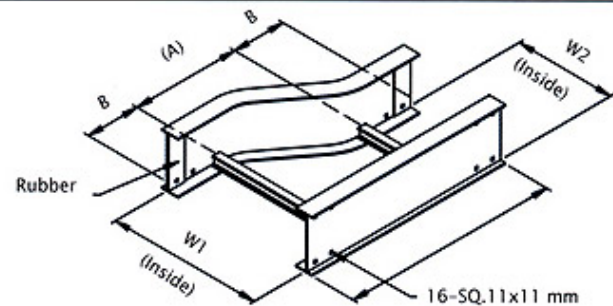
12. Straight Reducer and Cover



13. Offset Reducer Right and Cover



14. Offset Reducer Left and Cover



L	W1	W2	Dimensions		Reducer Part Number		
			A (max)	B	Straight	Right	Left
600	300	150	300 mm	150 mm	prefix 713015	prefix 733015	prefix 743015
	450	300			prefix 714530	prefix 734530	prefix 744530
	600	300			prefix 716030	prefix 736030	prefix 746030
	600	450			prefix 716045	prefix 736045	prefix 746045
	750	450			prefix 717545	prefix 737545	prefix 747545
	900	450			prefix 719045	prefix 739045	prefix 749045
	750	600			prefix 717560	prefix 737560	prefix 747560
	900	600			prefix 719060	prefix 739060	prefix 749060
	900	750			prefix 719075	prefix 739075	prefix 749075

- Prefix : Tray System Code; see page 60-64 for information
- All Dimension are Shown In Millimeter

Cable Tray Accessories

15. Clamp Cover

*) See page ... for Part Number

*) Supply include :

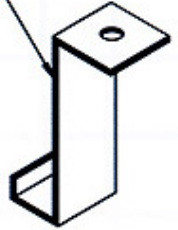
1. U-Channel
2. Hold Down Clamp

Hold Down Clamp

QTY : 2 Pcs/Set

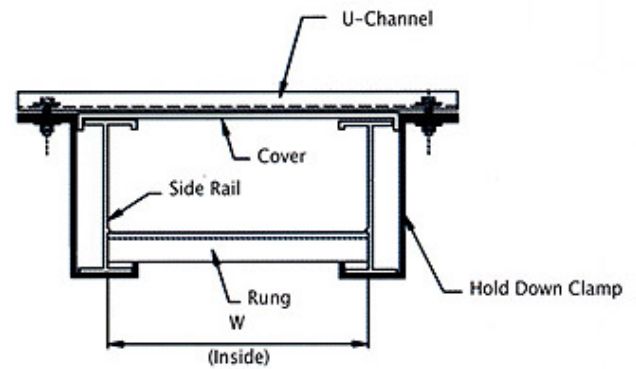
HOLD DOWN CLAMP

prefix 14.1



U-CHANNEL QTY : 1Pc/Set

prefix 14.2

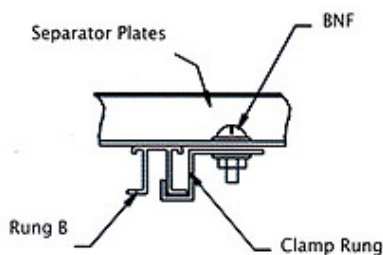
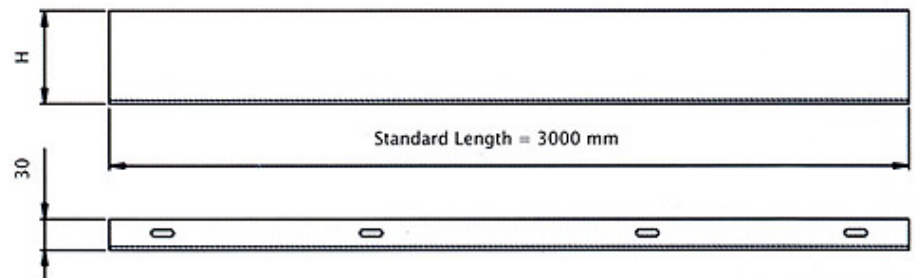


16. Straight Separator

*) Straight length: 3000mm

*) Height depend on cable tray type

*) Part number : prefix 81



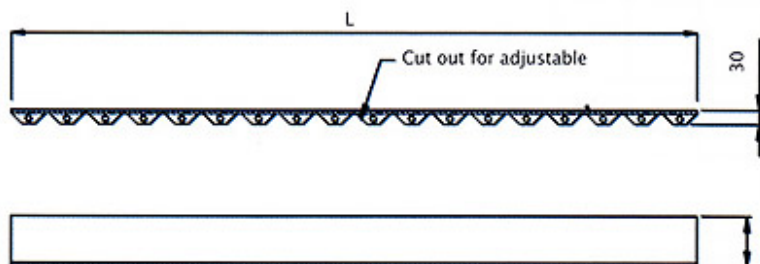
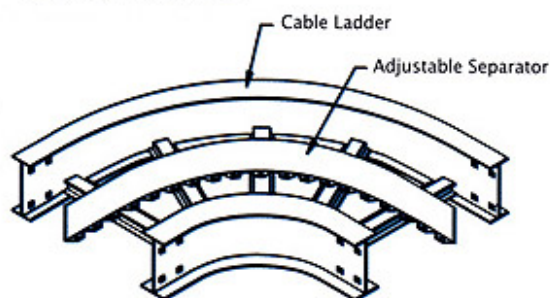
L	W	Code No.
mm	mm	
3000	74	AC1281
	98	AB2081
	123	AC2081
	128	AC2181

- Prefix : Tray System Code; see page 60-64 for information
- All Dimension are Shown In Milimeter

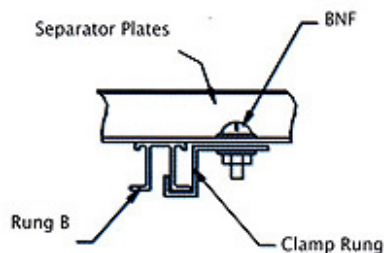
Cable Tray Accessories

17. Adjustable Separator

- *) Straight length: 1500mm
- *) Height depend on cable tray type
- *) Part number : prefix 82

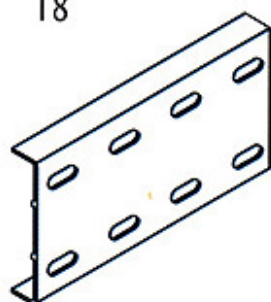


BOTTOM VIEW



L	W	Code No.
mm	mm	
1500	74	AC1281
	98	AB2081
	123	AC2081
	128	AC2181

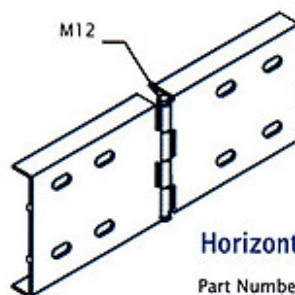
18



Straight Joint / Splice Plate

Part Number : Prefix 11

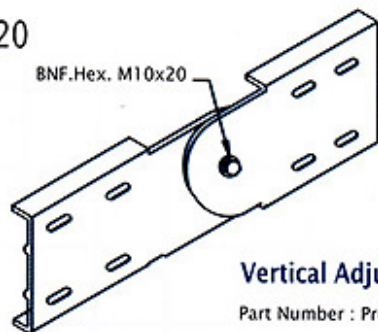
19



Horizontal Adjustable Splice Plate

Part Number : Prefix 12

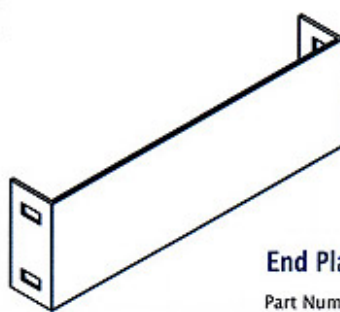
20



Vertical Adjustable Splice Plate

Part Number : Prefix 13

21



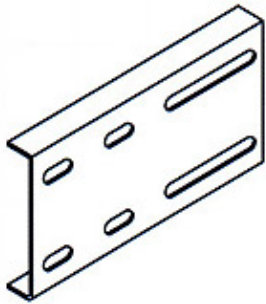
End Plate

Part Number : Prefix 83

- Prefix : Tray System Code; see page 60-64 for information
- All Dimension are Shown In Milimeter

Cable Tray Accessories

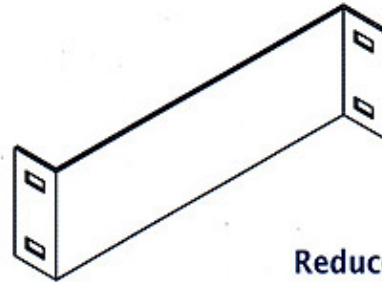
22



Expansion Splice Plate

Part Number : Prefix 15

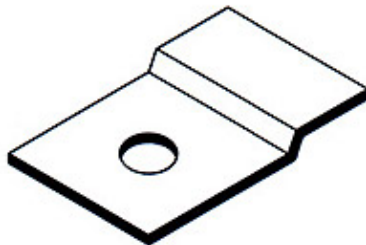
23



Reducer Plate

Part Number : Prefix 72

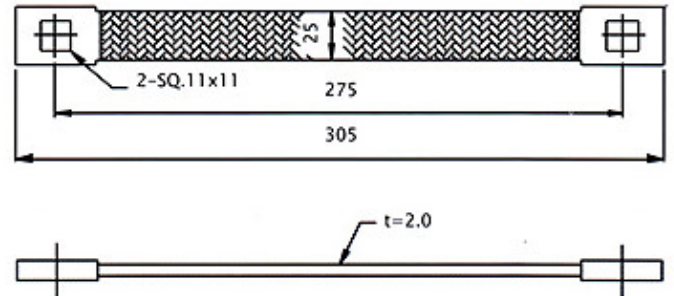
24



HDC (Z-Clamp)

Part Number : -

25



Flexible Bounding Jumper

- Prefix : Tray System Code; see page 60-64 for information
- All Dimension are Shown In Milimeter